

S1000D ISSUE 4.1 – QUICK REFERENCE

1. @accessPointTypeValue	
Value	Definition
accpnl01	Door
accpnl02	Panel
accpnl03	Electrical panel
accpnl04–accpnl50	Not available for projects
accpnl51–accpnl99	Available for projects

2. @acronymType	
Value	Definition
at01	Acronym
at02	Term
at03	Symbol
at04	Spec
at05–at50	Not available for projects
at51–at99	Available for projects

3. @barCodeSymbology	
Value	Definition
bsc01	Codabar
bsc02	Code 11
bsc03	EAN-13
bsc04	EAN-8
bsc05	Industrial 2 of 5
bsc06	Interleaved 2 of 5
bsc07	MSI
bsc08	Plessey
bsc09	POSTNET
bsc10	UPC-A
bsc11	Standard 2 of 5
bsc12	UPC-E
bsc13	Code 128
bsc14	Code 39
bsc15	Code 93
bsc16	LOGMARS
bsc17	PDF417
bsc18	DataMatrix
bsc19	Maxicode
bsc20	QR Code
bsc21	Data Code
bsc22	Code 49
bsc23	16K
bsc24	Bookland EAN
bsc25	ISSN and the SISAC Barcode
bsc26	OPC
bsc27	UCC/EAN-128
bsc28	UPC Shipping Container Symbol: ITF-14
bsc29	PLANET
bsc30	Intelligent Mail (USPS4CB)
bsc31–bsc50	Not available for projects
bsc51–bsc99	Available for projects

4. @cancelCaption	
Value	Definition
ca01	Sets the caption to "CANCEL"
ca02	Sets the caption to "ABORT"
ca03	Sets the caption to "NO"
ca04	Sets the caption to "END"
ca05	Sets the caption to "QUIT"
ca06–ca50	Not available for projects
ca51–ca99	Available for projects

5. @caveat	
Value	Definition
cv01–cv50	Not available for projects
cv51–cv99	Available for projects

6. @checkListCategory	
Value	Type
clc01	Preventive maintenance inspection form
clc02	Preventive maintenance checks and services
clc03	Schematic
clc04–clc50	Not available for projects
clc51–clc99	Available for projects

7. @circuitBreakerRefType	
Value	Definition
cbr01	Reference to the primary circuit breaker
cbr02	Reference to the provisioned circuit breaker
cbr03–cbr50	Not available for projects
cbr51–cbr99	Available for projects

8. @circuitBreakerType	
Value	Definition
cbt01	Electrical circuit breaker
cbt02	Electromechanical circuit breaker
cbt03	Clipped circuit breaker
cbt04–cbr50	Not available for projects
cbr51–cbr99	Available for projects

9. @color	
Value	Definition
co00	None
co01	Green
co02	Amber
co03	Yellow
co04	Red
co07	White
co08	Grey
co09	Clear (Default)
co10	Black
co04–co50	Not available for projects
co51–co99	Available for projects

10. @commentPriorityCode	
Value	Definition
cp01	Routine
cp02	Emergency
cp03	Safety critical
cp04–cp50	Not available for projects
cp51–cp99	Available for projects

11. @commercialClassification	
Value	Definition
cc01–cc50	Not available for projects
cc51–cc99	Restrictable

12. @crewMemberType	
Value	Definition
cm01	All
cm02	Pilot
cm03	Co-pilot
cm04	Navigator
cm05	Engineer
cm06	Ground crew
cm07	Load master
cm08	Cabin supervisor
cm09–cm50	Not available for projects
cm51–cm99	Available for projects

13. @crewStepCondition	
Value	Definition
csc01	Equipment is installed or available
csc02	A detailed procedure for the step is located in the performance section of the condensed checklis
csc03	Performance of the step is mandatory for all through-flights used for combat/tactical operations
csc04	A step that is mandatory for night flights
csc05	A task or step required by the operator's manual
csc06–csc50	Not available for projects
csc51–csc99	Available for projects

14. @drillType	
Value	Definition
dt00	None (Default)
dt01	Green
dt02	Amber
dt03	Yellow
dt04	Red
dt05	Orange
dt06	Blue
dt07–dt50	Not available for projects
dt51–dt99	Available for projects

S1000D ISSUE 4.1 – QUICK REFERENCE

15. @emphasisType	
Value	Definition
em01	Bold (Default)
em02	Italic (only for legacy data)
em03	Underline (only for legacy data)
em04	Overline (only for marking vectors)
em05	Strikethrough (not to be used to mark deleted text)
em06- em50	Not available for projects
em51- em99	Available for projects

16. @frontMatterInfoType	
Value	Definition
fmi01	Generic front matter information
fmi02	Manufacturers information
fmi03	Reporting errors and recommending improvements statement
fmi04	Availability statement
fmi05	Preventive maintenance service warning
fmi06	General purpose notice
fmi07	Ozone depleting chemical information
fmi08	Hazardous materials information
fmi09–fmi50	Not available for projects
fmi51–fmi99	Available for projects

17. @frontMatterType	
Value	Definition
fm01	LOEP - List of effective pages
fm02	LOEDM - List of effective data modules
fm03	HIGH - Highlights
fm04	HIGH - Highlights with updating instructions
fm05	LOAP - Publication lists data modules
fm06	LOI - List of illustrations
fm07	LOA - List of abbreviations
fm08	LOT - List of terms
fm09	LOS - List of symbols
fm10	TSR - Technical standard record
fm11	LOM - List of modifications
fm12	LOASD - List of applicable specifications and documentation
fm13	LOW - List of warnings
fm14	LOC - List of cautions
fm15	LOSE - List of support equipment
fm16	LOSU - List of supplies
fm17	LOSP - List of spares
fm18	LOV - List of vendors
fm19–fm50	Not available for projects
fm51–fm99	Available for projects

18. @function	
Value	Function
ft00	None
ft01	Inspect
ft02	Test

18. @function	
Value	Function
ft03	Service
ft04	Adjust
ft05	Align
ft06	Calibrate
ft07	Remove/Install
ft08	Replace
ft09	Repair
ft10	Overhaul
ft11	Rebuild
ft12–ft50	Not available for projects
ft51-ft99	Available for projects

19. @functionalItemRefType	
Value	Function
fir01	Reference to the card functional item
fir02	Reference to soft functional item (for hard functional items)
fir03	Reference to LRI functional items (for LRU functional items)
fir04	Reference to the shunt functional item (for a Circuit Breaker)
fir05	Reference to the mate equipment/connector functional item (for another equipment/connector functional item)
fir06	Reference to the equipment functional item, electrically protected by a given circuit breaker
fir07	Reference to the harness functional item, for an equipment functional item
fir08–fir50	Not available for projects
fir51-fir99	Available for projects

20. @functionalItemType	
Value	Definition
fit01	Exact functional item = A functional item representing a component with only one position
fit02	Family functional item = A functional item with generic code representing a component which has more than one position, eg seats, lights
fit03–fit50	Not available for projects
fit51–fit99	Available for projects

21. @genericPropertyType	
Value	Definition
gpt01	Passenger comfort affected
gpt02	Reliability affected
gpt03	Cost saving
gpt04	Structural life extension
gpt05	Cancels inspection Service Bulletin
gpt06	Product operation affected
gpt07	LROPS affected

21. @genericPropertyType	
Value	Definition
gpt08	ETOPS affected
gpt09	Potential Airworthiness Directive
gpt10	Disposition for removed spare that can be on customer shop
gpt11	Support code for removed spare
gpt12–gpt50	Not available for projects
gpt51–gpt99	Available for projects

22. @hazardousClassValue	
Value	Definition
hz01	Explosive
hz02	Compressed gases
hz03	Flammable liquids
hz04–hz50	Not available for projects
hz51–hz99	Available for projects

23. @installationLocationType	
Value	Definition
instloctyp01	Not available for projects
instloctyp02	Section
instloctyp03	Station
instloctyp04	Water line
instloctyp05	Buttock line
instloctyp06–instloctyp50	Not available for projects
instloctyp51–instloctyp99	Available for projects

24. @internalRefTargetType	
Value	Definition
irrt01	Figure
irrt02	Table
irrt03	Multimedia
irrt04	Supply
irrt05	Support equipment
irrt06	Spare
irrt07	Para
irrt08	Step
irrt09	Graphic
irrt10	Multimedia object
irrt11	Hotspot
irrt12	Param
irrt13	Zone
irrt14	Work location
irrt15	Service Bulletin material set
irrt16	Access point
irrt17–irrt50	Not available for projects
irrt51–irrt99	Available for projects

S1000D ISSUE 4.1 – QUICK REFERENCE

25. @itemCharacteristic	
Value	Definition
ic01	Step related to hardness critical process
ic02	Step related to electrostatic discharge
ic03	Step with a quality assurance effect
ic04–ic50	Not available for projects
ic51–ic99	Available for projects

26. @itemOriginator	
Value	Definition
orig01	Manufacturer
orig02	Vendor
orig03	Partner
orig04–orig50	Not available for projects
orig51–orig99	Available for projects

27. @limitUnitType	
Value	Definition
lt01	Time between overhaul
lt02	Hard time
lt03	Since last maintenance
lt04	Out time limit
lt05	On condition
lt06	Check maintenance
lt07	Functional check
lt08–lt50	Not available for projects
lt51–lt99	Available for projects

28. @listItemPrefix	
Value	Definition
pf01	Simple (No prefix, only indent)
pf02	Unordered [-], [•], [-] (Default)
pf03	Dash [-]
pf04	Disc [⊙]
pf05	Circle [○]
pf06	Square [□]
pf07	Bullet [•]
pf08–pf50	Not available for projects
pf51–pf99	Available for projects

29. @lowestLevel	
Value	Definition
la01	None
la02	Field (Service) level
la03	Field/ASB maintenance can remove, replace, and use the item.
la04	Below depot sustainment maintenance can remove, replace, and use the item.
la05	Specialized repair activity/TASMG can remove, replace, and use the item.
la06	Afloat and ashore intermediate maintenance can remove, replace, and use the item.
la07	Contractor facility can remove, replace, and use the item.

29. @lowestLevel	
Value	Definition
la08	Item is not authorized to be removed, replaced, or used at any maintenance level
la09	Depot can remove, replace, and use the item.
la10–la50	Not available for projects
la51–la99	Restrictable

30. @maintLevelCode	
Value	Maintenance Level
ml01	Level 1
ml02	Level 2
ml03	Level 3
ml04	Level 4
ml05	Level 5
ml06–ml50	Not available for projects
ml51–ml99	Available for projects

31. @materialUsage	
Value	Definition
mu01	Discarded
mu02	Retained
mu03	Modified from
mu04	Referenced
mu05	Material set
mu06	Modified to
mu07–mu50	Not available for projects
mu51–mu99	Available for projects

32. @partCharacteristic	
Value	Definition
pc01	Hardness critical item (HCI)
pc02	Flight safety and critical aircraft part
pc03	Mandatory replacement part
pc04	Critical Safety Item (CSI)
pc05	Test equipment
pc06	Part with ElectroStatic Discharge sensitivity (ESD)
pc07–pc50	Not available for projects
pc51–pc99	Available for projects

33. @partStatus	
Value	Definition
pst01	Basic part
pst02	Oversize/Undersize
pst03	Select from
pst04	Interchangeable
pst05	Alternative
pst06–pst50	Not available for projects
pst51–pst99	Available for projects

34. @partUsageCode	
Value	Definition
pu01	Standard part

34. @partUsageCode	
Value	Definition
pu02	Expendable part
pu03	Components of end-item parts
pu04	Basic issue item parts
pu05	Item required to operate equipment
pu06	Tool item
pu07	Special tool
pu08	Standard mechanical hardware items
pu09	Hardware
pu10	Line replaceable item
pu11	Anesthetics/Medical chemicals
pu12	Module
pu13	Ammunition with dangerous substances
pu14	Modification leaflet
pu15	Medical supplies
pu16	Modification set
pu17	None of the other codes applies
pu18	Role equipment
pu19	Raw materials
pu20	Split design module
pu21	Software remarks
pu22	Part
pu23	Basic issue item
pu24	Components of end item
pu25	Tool
pu26	Additional authorization list item
pu27–pu50	Not available for projects
pu51–pu99	Available for projects

35. @pmEntryType	
Value	Definition
pmt01–pmt50	Not available for projects
pmt51–pmt99	Available for projects

36. @productCategory	
Value	Definition
pcg01	Adhesives sealant
pcg02–pcg03	Not available for projects
pcg04	Anti freeze and de-icing products
pcg05–pcg07	Not available for projects
pcg08	Biocide products
pcg09	Coating and paints, fillers, putties, thinners
pcg10–pcg12	Not available for projects
pcg13	Fuels
pcg14	Metal surface treatment products
pcg15	Non-metal surface treatment products
pcg16	Heat transfers fluids
pcg17	Hydraulic fluids
pcg18–pcg23	Not available for projects
pcg24	Lubricants, grease, release products
pcg25–pcg31	Not available for projects
pcg32	Polymer preparation and compounds
pcg33–pcg34	Not available for projects
pcg35	Washing and cleaning product

S1000D ISSUE 4.1 – QUICK REFERENCE

36. @productCategory	
Value	Definition
pcg36-pcg50	Not available for projects
pcg51-pcg99	Available for projects

37. @productItemType	
Value	Definition
pi01	Frame
pi02	Rib
pi03	Stringer
pi04-pi50	Not available for projects
pi51-pi99	Available for projects

38. @quantityType	
Value	Definition
qty01	Length
qty02	Price
qty03	Temperature
qty04	Time
qty05	Torque value
qty06	Voltage
qty07	Volume
qty08	Mass
qty09-qty50	Not available for projects
qty51-qty99	Available for projects

39. @refType	
Value	Definition
rft01	Refer to next higher assembly
rft02	Refer to detail(s)
rft03	Equivalent part(s)
rft04	Substitute part(s)
rft05	Attaching part(s)
rft06	Removal/Installation part(s)
rft07	Select from part(s)
rft08	Oversize/Undersize
rft09	Connecting item(s)
rft10	Breakdown
rft11-rft50	Not available for projects
rft51-rft99	Available for projects

40. @reqCondCategory	
Value	Definition
rcc01	Normal
rcc02	Special environmental conditions such as reduced lighting, ventilation, and temperature.
rcc03-rcc50	Not available for projects
rcc51-rcc99	Available for projects

41. @reqTechInfoCategory	
Value	Definition
ti01	Publication module
ti02	Data module
ti03	Drawing

41. @reqTechInfoCategory	
Value	Definition
ti04	Electrical diagram
ti05	Schematic diagram
ti06	Safety sheet
ti07-ti50	Not available for projects
ti51-ti99	Available for projects

42. @resetCaption	
Value	Definition
re01	Sets the caption to "RESET"
re02	Sets the caption to "CLEAR"
re03-re50	Not available for projects
re51-re99	Available for projects

43. @responseType	
Value	Definition
rt01	Accepted
rt02	Pending
rt03	Partly rejected
rt04	Rejected
rt05-rt50	Not available for projects
rt51-rt99	Available for projects

44. @sbComplianceCategory	
Value	Definition
sbcc01	Mandatory (Service Bulletin must be accomplished)
sbcc02	Recommended (Service Bulletin recommended to be accomplished to prevent significant operational disruptions)
sbcc03	Desirable (Service Bulletin to introduce improvements)
sbcc04	Optional (Service Bulletin for convenience or option)
sbcc05-sbcc50	Not available for projects
sbcc51-sbcc99	Available for projects

45. @sbImpactType	
Value	Definition
sbit01	Weight
sbit02	Balance
sbit03	Direct current electrical load
sbit04	Alternating current electrical load
sbit05	Maintenance publications
sbit06	Operational publications
sbit07-sbit50	Not available for projects
sbit51-sbit99	Available for projects

46. @sbMaterialType	
Value	Definition
sbmt01	Set of material or individual material specific to the Service Bulletin
sbmt02	Set of material or individual material not specially built for the Service Bulletin

46. @sbMaterialType	
Value	Definition
sbmt03	Set of references to set of material or individual material or external material
sbmt04	Set of hazardous removed material
sbmt05	Set of re-identified material
sbmt06-sbmt50	Not available for projects
sbmt51-sbmt99	Available for projects

47. @sbTaskCategory	
Value	Definition
sbtc01	Modification
sbtc02	Inspection
sbtc03	Repair
sbtc04	Evaluation
sbtc05	Administrative
sbtc06-sbtc50	Not available for projects
sbtc51-sbtc99	Available for projects

48. @sbTimeComplianceType	
Value	Definition
sbctct01	Basic limit
sbctct0	Grace period
sbctct0	Repetitive interval
sbctct04-sbctct50	Not available for projects
sbctct51-sbctct99	Available for projects

49. @sbTopicType	
Value	Definition
sbtt01	Revision information
sbtt02	Summary
sbtt03	Planning information
sbtt04	Additional information
sbtt05	Applicability
sbtt06	Concurrent requirements
sbtt07	Reason
sbtt08	Description
sbtt09	Compliance
sbtt10	Approval
sbtt11	Manpower
sbtt12	Weight and balance
sbtt13	Electrical load data
sbtt14	Software accomplishment summary
sbtt15	Referenced documentation
sbtt16	Documentation affected
sbtt17	Industry support information
sbtt18	Material information
sbtt19	General evaluation
sbtt20	General illustration
sbtt21	Additional work
sbtt22	Revision reason
sbtt23	Revision history
sbtt24	Revision sequence
sbtt25-sbtt50	Not available for projects
sbtt51-sbtt99	Available for projects

S1000D ISSUE 4.1 – QUICK REFERENCE

50. @scoEntryType	
Value	Definition
scot01	IMS/SCORM Manifest "sco" type resource
scot02	IMS/SCORM Manifest "asset" type resource
scot03–scot50	Not available for projects
scot51–scot99	Available for projects

51. @securityClassification	
Value	Definition
01	1 (lowest level of security classification, eg Unclassified)
02	2 (next higher level of security classification, eg Restricted)
03	3 (next higher level of security classification, eg Confidential)
04	4 (next higher level of security classification, eg Secret)
05	5 (next higher level of security classification, eg Top secret)
06	6 (another level of security classification)
07	7 (another level of security classification)
08	8 (another level of security classification)
09	9 (another level of security classification)
10–50	Not available for projects
51-99	Available for projects

52. @significantParaDataType	
Value	Definition
psd01	Ammunition
psd02	Instruction disposition
psd03	Lubricant
psd04	Maintenance level
psd05	Manufacturer code
psd06	Manufacturers recommendation
psd07	Modification code
psd08	Qualification code
psd09	Training level
psd10	Control or indicator value
psd11-psd50	Not available for projects
psd51-psd99	Available for projects

53. @skillLevelCode	
Value	Definition
sk01	Basic
sk02	Intermediate
sk03	Advanced
sk04-sk50	Not available for projects
sk51-sk99	Available for projects

54. @skillType	
Value	Definition
st01	Airframe (AIRPL)
st02	Electrical (ELEC)

54. @skillType	
Value	Definition
st03	Avionic (AVION)
st04	Engine (ENGIN)
st05–st50	Not available for projects
st51–st99	Available for projects

55. @sourceCriticality	
Value	Maintenance Level
sc01-sc50	Not available for projects
sc51-sc99	Available for projects

56. @sourceTypeCode	
Value	Maintenance Level
stc01-stc50	Not available for projects
stc51-stc99	Available for projects

57. @submitCaption	
Value	Definition
ok01	Sets the caption to "OK"
ok02	Sets the caption to "SUBMIT"
ok03	Not available for projects
ok04	Sets the caption to "CONTINUE"
ok05	Sets the caption to "EXIT"
ok06–ok50	Not available for projects
ok51–ok99	Available for projects

58. @supervisorLevelCode	
Value	Definition
sl01	Low
sl02	Low intermediate
sl03	High intermediate
sl04	High
sl05–sl50	Not available for projects
sl51–sl99	Available for projects

59. @supplyNumberType	
Value	Definition
sp01	Commercial reference
sp02	Specification
sp03	Mixture
sp04	Set
sp05	Article
sp06–sp50	Not available for projects
sp51–sp99	Available for projects

60. @taskCode	
Value	Definition
taskcd01	Detailed inspection (DET)
taskcd02	Discard (DIS)
taskcd03	Functional Check (FNC)
taskcd04	General visual inspection (GVI)
taskcd05	Lubrication (LUB)
taskcd06	Operational check (OPC)
taskcd07	Restoration (RST)

60. @taskCode	
Value	Definition
taskcd08	Servicing (SVC)
taskcd09	Visual check (VCK)
taskcd10–taskcd50	Not available for projects
taskcd51–taskcd99	Available for projects

61. @thresholdUnitOfMeasure	
Value	Definition
th01	Flight hours
th02	Flight cycles
th03	Months
th04	Weeks
th05	Years
th06	Days
th07	Supersonic cycles
th08	Pressure cycles
th09	Engine cycles
th10	Engine change
th11	Shop visits
th12	Auxiliary Power Unit (APU) charge
th13	Landing gear change
th14	Wheel change
th15	Engine start
th16	APU hours
th17	Engine hours
th18	Elapsed hours
th19	Landings
th20	Operating cycles
th21	Operating hours
th22	Supersonic hours
th23	A check
th24	B check
th25	C check
th26	D check
th27	Daily*
th28	E check
th29	Overnight
th30	Preflight
th31	Routine check
th32	Structural "C" check
th33	Service check
th34	Transit
th35	Kilometer
th36	Consumption in cubic meter
th37	Consumption in liter
th38	Number of shots - each
th39	Number of shots - equivalent full charge (EFC)
th40-th50	Not available for projects
th51–th99	Restrictable

62. @updateReasonType	
Value	Definition
urt01	Editorial change (authored/technical content changed, but technically changes are deemed insignificant)
urt02	Technical change (authored/technical content has changed, changes are significant and should be reviewed)
urt03	Markup change (changes are solely related to XML markup)
urt04	Applicability change (only the applicability has changed)
urt05	Unique identifier of the referencing structure has changed
urt06–urt50	Not available for projects
urt51–urt99	Available for projects

63. @verbatimStyle	
Value	Definition
vs01	Generic verbatim
vs02	Filename
vs03–vs10	Not available for projects
vs11	XML/SGML markup
vs12	XML/SGML element name
vs13	XML/SGML attribute name
vs14	XML/SGML attribute value
vs15	XML/SGML entity name
vs16	XML/SGML processing instruction
vs17–vs20	Not available for projects
vs21	Program prompt
vs22	User input
vs23	Computer output
vs24	Program listing
vs25	Program variable name
vs26	Program variable value
vs27	Constant
vs28	Class name
vs29	Parameter name
vs30–vs50	Not available for projects
vs51–vs99	Available for projects

S1000D ISSUE 4.1 – QUICK REFERENCE

1. @selectOrManufactureValue		
Value	Reason	Meaning
f	Select on fit	Applied against items which vary in physical dimension (eg washers, shims, oversize/undersize parts)
t	Select on test	Applied against items which vary in electrical characteristics (eg resistors, capacitors)
m	Manufacture from	Applied against items which can be locally manufactured or programmed
r	Reworked from	Applied against items which can be produced by the reworking of a pre-modified item. Reference to modification instructions is obligatory
p	Repaired from	Applied against items which can be repaired from special repair parts, repair kits or part kits

2. Item location code (Chap 4.3.8)	
Value	Definition
A	(Organizational) Related to items installed on the Product.
B	(Intermediate) Related to items installed on a major assembly removed from the Product.
C	(Depot) Related to items on the bench (irrelevant if removed from the Product).
D	Related to all three locations A, B, and C. No other combinations are allowed.
T	Training information (for those projects that either have legacy training data modules or have no requirement to be SCORM conformant or no need to use the learn code and learn event code).

3. NATO/National Stock Number (NSN)		
@natoSupply Class	@natoCodification Bureau	@natoItemIdent NumberCore
Supply class codification	Bureau code	Core number
Federal Supply Class (FSC) (4- digit)	Country of origin (2-digit) National Item Identification Number (NIIN) (9-digit)	Unique number (7-digit)

4. Material Item Category Code (MICC) (Chap 4.3.3)	
Value	Definition
A	Generic SNS
B	Support & training SNS
C	Ordnance SNS
D	General communications SNS
E	Air vehicle, engines & equipment SNS
F	Tactical missiles SNS
G	General surface vehicles SNS
H	General sea vehicles SNS
I	Not available for projects
J	Civil aircraft deviations from [value] E.
K-S	Not available for projects
T-Y	Available for projects
Z	Used for non-characterized illustrated parts data modules
0-9	Available for projects

5. Useful Links	
Title	URL
S1000D	http://public.s1000d.org
NSPA	http://www.nspa.nato.int/en/organization/Logistics/LogServ/asds2000m.htm
XML Primer	http://www.w3c.it/education/2012/upra/documents/xmlprimer.pdf

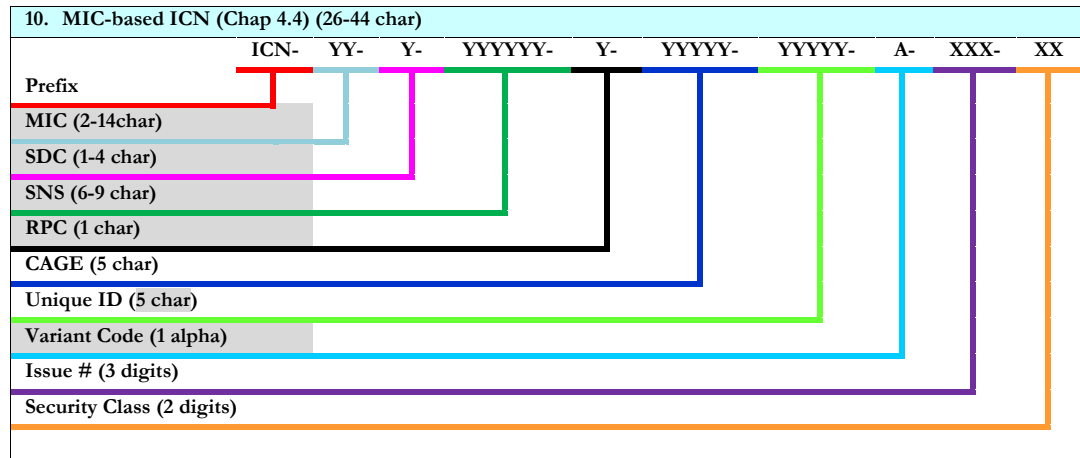
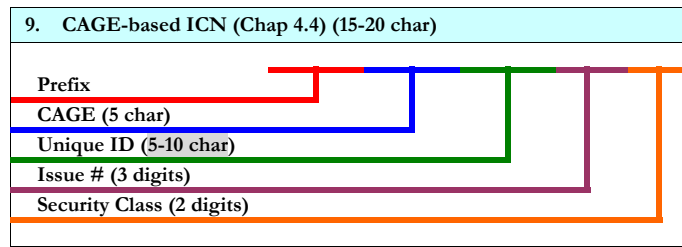
6. File naming conventions (Chap 7.5.1)		
TYPE-CONTROLNUMBER.FORMAT		
Segment	Value	Meaning
TYPE	"DDN"	data dispatch notes
	"DMC"	data module text
	"DME"	data module text, extended identification
	"ICN"	illustrations and multimedia objects
	"DML"	data management lists (data management requirement list or CSDB status list)
	"PMC"	publication modules
	"PME"	publication module, extended identification
	"SMC"	SCORM content package
	"SME"	SCORM module, extended identification
CONTROL NUMBER	"COM"	comment forms
	"UPF"	data update file
FORMAT	XML, CGM, CG4, JPG, PDF, etc.	Unique identifier of the data file written with hyphens and underscores Abbreviated extension of the allowed format
Examples		
MI = Model identifier	YYYY = CAGE of issuing authority	
XXXX = Year	SSSSS = CAGE of sending partner	
NNNNN = Unique sequential number	RRRRR = CAGE of receiving partner	
NN = Volume number	AAAAA = Issuing authority+FSC	
III=issue number	XXXXX = Type of pub+Seq. #	
WW = Inwork number	T = S P C (CSL, partial or complete DMRL)	
LL = Language code	V = Q I R (Query, interim or final response)	
CC = Country code		
Data dispatch note	DDN-MI-SSSSS-RRRRR-XXXX-NNNNN.XML	
Data module	DMC-(DMC)_III-WW_LL-CC.XML	
Data management list	DML-MI-SSSSS-T-XXXX-NNNNN_III-WW.XML	
Publication module	PMC-MI-AAAAA-XXXXX-NN_III-WW_LL-CC.XML	
Comment	COM-MI-YYYYY-XXXX-NNNNN-V_LL-CC.XML (Attachments may include PDF, ZIP, etc.)	
Data update file	UPF-(DMC)_III-WW_LL-CC.XML	

Filenames are always all uppercase.

S1000D ISSUE 4.1 – QUICK REFERENCE

7. DMC (Chap 4.3)	
Attribute	Length
modelIdentCode	2-14 alphanumeric
systemDiffCode	1-4 alphanumeric
systemCode	1 (optional) plus 2 alphanumeric
subSystemCode	1 alphanumeric
subSubSystemCode	1 alphanumeric
assyCode	2 or 4 alphanumeric
disassyCode	2 alphanumeric
disassyCodeVariant	1-3 alphanumeric
infoCode	3 alphanumeric
infoCodeVariant	1 alphanumeric
itemLocationCode	1 alpha
learnCode	3 alphanumeric (optional)
learnEventCode	1 alpha (optional)
DMC- <u>YYYYYYYYYYYYYY</u> - <u>YYYY</u> - <u>YY</u> - <u>YY</u> - <u>YYYY</u> - <u>YYYYY</u> - <u>YYYY</u> - <u>Y</u>	
Note: DMC segments which are not underlined represent a fixed-character length.	

8. PMC (Chap 4.9.2)	
Attribute	Length
modelIdentCode	2-14 alphanumeric
pmIssuer	5 alphanumeric
pmNumber	5 alphanumeric
pmVolume	2 digits
PMC- <u>YYYYYYYYYYYYYY</u> -- <u>YYYYY</u> - <u>YYYYY</u> - <u>NN</u>	



Grey shaded segments indicate differences in ICN types.